

Bone Scan

A bone scan is a test that checks your bones. A very small amount of radioactive dye is given to let your doctor see your bones. Your body will get rid of the dye on its own.

This test has two parts. You will be given two appointment times. **Arrive on time for each part of the test.**

If you have any allergies to medicines, foods or other things, tell the staff before the test.

If you are breastfeeding, pregnant or think you might be, tell the staff before the test.

During the Test

Part One:

An IV (intravenous) is put in a vein in your arm. The dye is put into your IV. One or two scans may be done. Lie flat and hold still as each scan is done.

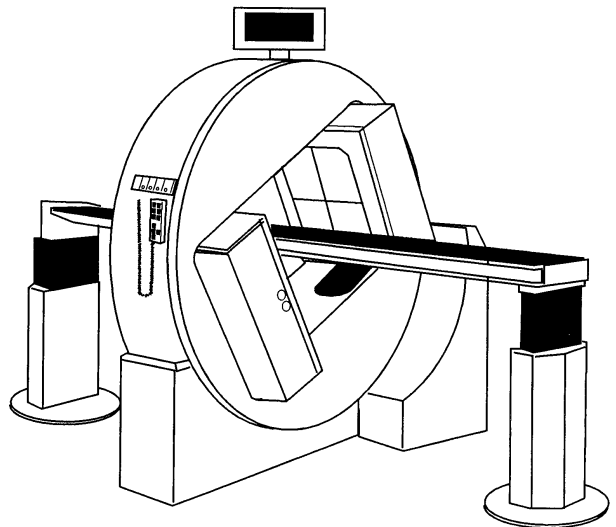
The first part of your test is at _____ morning/afternoon

Time

on _____, 20____.
Month Day Year

Part Two:

About 3 hours later, you need to return to have a scan done of your whole body. You lie on a table during the scan. This takes about 1 hour.



Sawiridda Lafta

Sawiridda laftu waa baaritaan hubiya lafahaaga. Xaddi aad u yar oo dheeh shucaac ah ayaa lagu siinayaa si takhtarkaaga loogu oggolaado in uu arko lafahaaga. Jidhkaagu isaga ayaa iska saari doona dheeha lagu siiyey.

Baaritaankaan wuxuu leeyahay labo qaybood. Waxaa lagu dhigi doonaa labo ballamood. **Waqtiga ugu imow qayb kasta oo ka mid ah baaritaanka.**

Haddii aad wax xajiin ah ka qaaddid daawooyinka, cuntooyinka ama waxyaabo kale, shaqaalaha u sheeg baaritaanka ka hor.

Haddii aad naas nuujiso, uur leedahay ama ay kula tahay in aad uur yeelanayso, shaqaalaha u sheeg baaritaanka ka hor.

Waqtiga Baaritaanka

Qaybta Kow:

IV (xidid gale) ayaa xididka gacanta lagaa gelinayaa. Dheeh ayaa IV-gaaga lagaaga shubayaa. Hal ama labo sawir ayaa laga yaabaa in lagaa qaado. Dhacadiid ayaad u seexanaysaa ilaa sawir kasta lagaa qaadayo.

Qaybta koowaad ee baaritaankaagu waxay dhacaysaa _____ subixii/galabtii

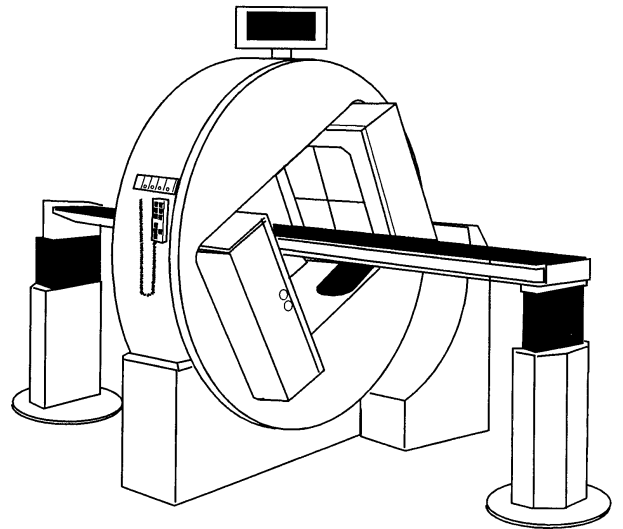
Waqtiga

markay tahay _____, 20 _____.
Bisha Maalinta Sanadka

Qaybta Labo:

Qiyaastii 3 saacadood ka dib, waxaad u baahan doontaa in aad soo noqoto si sawirka jidhkaaga oo dhan looga qaado. Waxaad ku seexanaysaa miis waqtiga sawirka. Tani waxay qaadanaysaa ilaa 1 saac.

Bone Scan. Somali.



The second part of your test is at _____morning/afternoon.

Time

After the Test

- Drink plenty of liquids the day of the test to help get rid of the dye.
- Test results are sent to your doctor. Your doctor will share the results with you.

Talk to your doctor or nurse if you have any questions or concerns.

Qaybta labaad ee baaritaankaagu waxay dhacaysaa _____subixii/galabtii.
Waqtiga

Baaritaanka ka Dib

- Cab cabitaanno fara badan maalinta baaritaanka si ay kaaga caawiyaan in aad dheeha isaga saarto.
- Natiijooyinka baaritaanka waxaa loo dirayaa takhtarkaaga. Takhtarkaaga ayaa natiijooyinka kugu wargelin doona.

Takhtarkaaga ama kalkaalisada la hadal haddii aad wax su'aalo ama walaac ah aad qabtid.

Bone Scan. Somali.

1/2006. Developed through a partnership of The Ohio State University Medical Center, Mount Carmel Health and OhioHealth, Columbus, Ohio. Available for use as a public service without copyright restrictions at www.healthinfotranslations.com.