

PET (Positron Emission Tomography) Scan

A PET scan is a test that shows:

- Blood flow to a part of your body
- How your tissues are using nutrients such as oxygen
- If your cells are normal

A small amount of radioactive solution is put in a vein in your arm. This solution allows pictures to be taken of the part of your body that is to be checked. The solution leaves your body after a few days.

If you have any allergies to medicines, foods or other things, tell the staff before the test.

If you are breastfeeding, pregnant or think you might be, tell the staff before the test.

Arrive on time for your test. Plan to be here about 3 hours. The test takes 45-90 minutes.

To Prepare

- Do not eat or drink anything, including water, for 5 hours before the test.
- Take your medicines with sips of water only.
- If you have diabetes, talk to your doctor about how to manage your blood sugar the day of your test. If you take insulin, bring it with you.

PET (正电子断层扫描)

正电子断层扫描检查可显示：

- 流向身体一个部分的血流
- 你的组织如何使用营养物，如氧气
- 你的细胞是否正常

将给你的手臂静脉中注入少量放射性溶液。此溶液让你要检查的身体部分可被照影。溶液在几天后会从你的身体排出。

如果你对药物、食物或其他任何东西过敏，请在检查前告知医务人员。

如果你哺乳、已怀孕的或认为你可能怀孕，请在检查前告知医务人员。

请准时到达做检查。请计划在此约呆 3 个小时。检查要花 45-90 分钟。

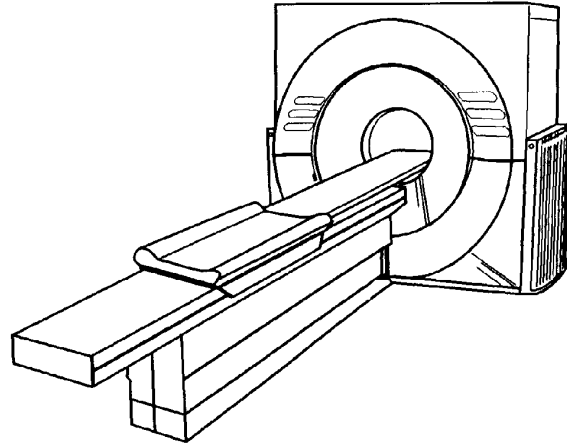
准备工作

- 请在检查之前 5 个小时不要吃喝任何东西，包括水。
- 请只小口饮水服药。
- 如果你有糖尿病，和你的医生谈一谈如何在检查日控制你的血糖。如果你用胰岛素，请带上它。

- If your doctor has ordered medicine for pain, anxiety, or claustrophobia that you need to take during your test, bring it with you. You will also need to have someone with you to take you home after the test.
- You may bring tapes or CDs to listen to during the test.

During the Test

- You are asked to go to the toilet and empty your bladder before the test begins.
- An IV (intravenous) is put in a vein in your arm.
- The solution is given in your IV.
- You need to lie still for up to 1 hour while the solution moves in your blood.
- As you lie flat and still on your back, the table moves you to different positions. The scanner takes pictures of your body. This takes 45-90 minutes. You may listen to music or just rest.



After the Test

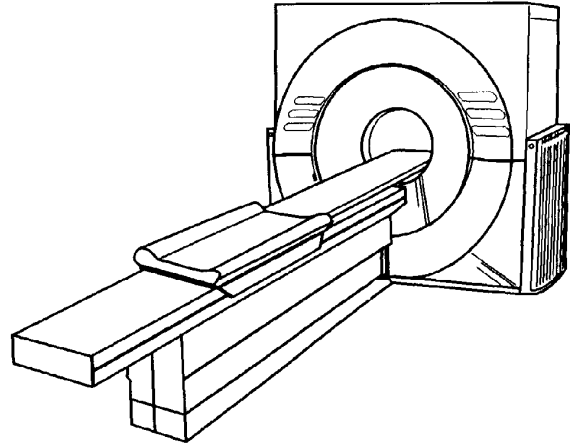
- Drink 8-10 glasses of liquids to remove the solution from your body.
- Test results are sent to your doctor. Your doctor will share the results with you.

Talk to your doctor or nurse if you have any questions or concerns.

- 如果你的医生已为你的检查开了止痛、抗焦虑或抗幽闭恐惧症的药物，请将药物带上。你也将需要有人在检查后带你回家。
- 检查期间你可带磁带或唱碟去听。

检查期间

- 会要求你在检查开始前去如厕排空你的膀胱。
- 将在你的手臂静脉中作 IV (静脉注射)。
- 溶液将静脉注入。
- 你需要静躺达 1 个小时让溶液在你的血液中流动。
- 当你平躺不动时，台子会移到不同位置。扫描仪给你的身体照相。这需要 45-90 分钟。你可听音乐或只是休息。



检查之后

- 请喝 8-10 杯液体将溶液从你的体内排出。
- 检查结果将送交你的医生。你的医生将告知你结果。

若有任何问题或关注事宜，请告知你的医生或护士。

4/2006. Developed through a partnership of The Ohio State University Medical Center, Mount Carmel Health and OhioHealth, Columbus, Ohio. Available for use as a public service without copyright restrictions at www.healthinfotranslations.com.