

Bone Scan

A bone scan is a test that uses a very small amount of radioactive contrast. This medicine lets your doctor see your bones better than he or she would be able to on x-ray.

This test has two parts. **Arrive on time for each part of the test.** Arrive for the first part of the test at _____ am / pm on _____. Staff will tell you when to come back to the testing area for the second part of the test.

If you have any allergies to medicines, foods or other things, tell the staff before the test.

If you are breastfeeding, pregnant or think you might be, tell the staff before the test.

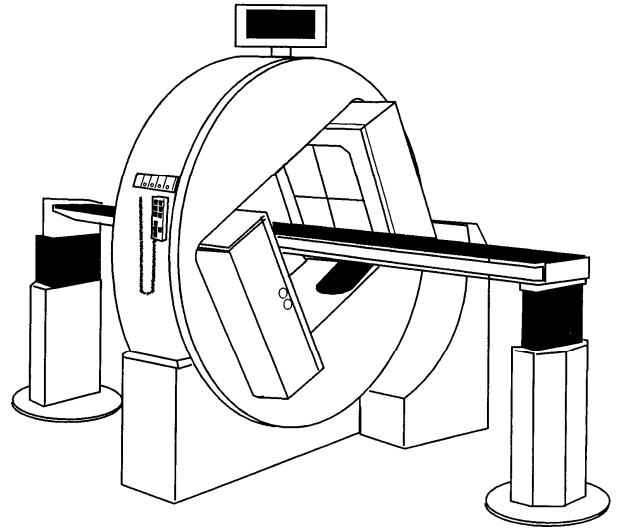
During the Test

Part One:

An IV (intravenous) is put in a vein in your arm. The contrast is put into your IV. One or two scans may be done. Lie flat and hold still as each scan is done.

Part Two:

About 3 hours later, you will have a scan of your whole body. You lie on a table during the scan. This takes about 1 hour.



Gammagrafía ósea

Una gammagrafía ósea es un examen que utiliza una pequeña cantidad de tinte de contraste radiactivo. Este medicamento le permite a su médico ver sus huesos mejor que con los rayos X.

Este examen consta de dos partes. **Llegue puntualmente a cada una de ellas. Para la primera parte del examen, debe llegar a la(s) _____ de la mañana / de la tarde del día _____.** El personal le dirá cuándo debe regresar al lugar del examen para realizar la segunda parte.

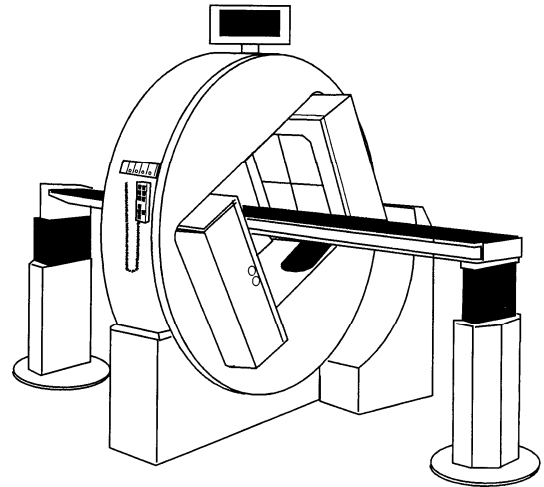
Si tiene alergias a medicamentos, alimentos u otras cosas, **dígase lo al personal antes del examen.**

Si está amamantando, embarazada o cree estarlo, **avísele al personal antes del examen.**

Durante el examen

Parte uno:

Se le insertará una vía intravenosa en una vena del brazo. El contraste se le administra a través de la vía endovenosa. Se le pueden realizar una o dos gammagrafías. Acuéstese recto y permanezca quieto mientras se realiza cada gammagrafía.



Parte dos:

Aproximadamente 3 horas después, le harán una gammagrafía de todo el cuerpo. Durante ésta, usted se recuesta en una mesa. El examen tiene una duración de aproximadamente 1 hora.

After the Test

- Drink plenty of liquids the day of the test. This helps your body get rid of the contrast.
- Test results are sent to your doctor. Your doctor will share the results with you.

Talk to your doctor or nurse if you have any questions or concerns.

2005 – 5/2010 Health Information Translations

Unless otherwise stated, user may print or download information from www.healthinfotranslations.org for personal, non-commercial use only. The medical information found on this website should not be used in place of a consultation with your doctor or other health care provider. You should always seek the advice of your doctor or other qualified health care provider before you start or stop any treatment or with any questions you may have about a medical condition. The Ohio State University Medical Center, Mount Carmel Health System, OhioHealth and Nationwide Children's Hospital are not responsible for injuries or damages you may incur as a result of your stopping medical treatment or your failure to obtain medical treatment.

Después del examen

- Beba mucho líquido el día del examen. Esto le ayudará a su cuerpo a eliminar el contraste.
- Los resultados del examen se le envían a su médico. Éste los analizará con usted.

Hable con su médico o enfermera si tiene alguna pregunta o inquietud.

2005 – 5/2010 Health Information Translations

Unless otherwise stated, user may print or download information from www.healthinfotranslations.org for personal, non-commercial use only. The medical information found on this website should not be used in place of a consultation with your doctor or other health care provider. You should always seek the advice of your doctor or other qualified health care provider before you start or stop any treatment or with any questions you may have about a medical condition. The Ohio State University Medical Center, Mount Carmel Health System, OhioHealth and Nationwide Children's Hospital are not responsible for injuries or damages you may incur as a result of your stopping medical treatment or your failure to obtain medical treatment.

Bone Scan. Spanish.