

Bone Scan

A bone scan is a test that uses a very small amount of radioactive contrast. This medicine lets your doctor see your bones better than he or she would be able to on x-ray.

This test has two parts. **Arrive on time for each part of the test.** Arrive for the first part of the test at _____ am / pm on _____. Staff will tell you when to come back to the testing area for the second part of the test.

If you have any allergies to medicines, foods or other things, tell the staff before the test.

If you are breastfeeding, pregnant or think you might be, tell the staff before the test.

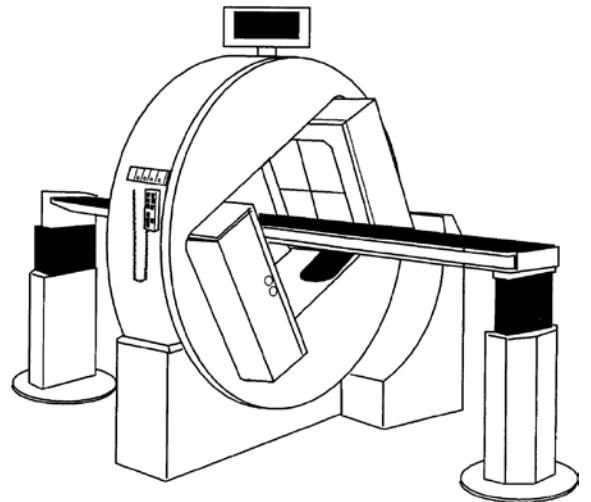
During the Test

Part One:

An IV (intravenous) is put in a vein in your arm. The contrast is put into your IV. One or two scans may be done. Lie flat and hold still as each scan is done.

Part Two:

About 3 hours later, you will have a scan of your whole body. You lie on a table during the scan. This takes about 1 hour.



After the Test

- Drink plenty of liquids the day of the test. This helps your body get rid of the contrast.
- Test results are sent to your doctor. Your doctor will share the results with you.

骨骼掃描

骨骼掃描是一種檢查，使用微量的放射性造影劑。與 X 光照片相比，使用放射性造影劑可以讓醫生對骨骼的觀察更為清晰。

骨骼掃描檢查分兩個部份進行。**準時前來參加檢查的每個部份**。檢查的第一部份安排在 _____ 上午/下午 _____ 進行。工作人員會告訴您何時返回檢查區進行檢查第二部份。

如您對藥物、食物或其他物品過敏，請在檢查前向工作人員說明。

如您正在哺乳、已懷孕或認為自己已懷孕，請在檢查前向工作人員說明。

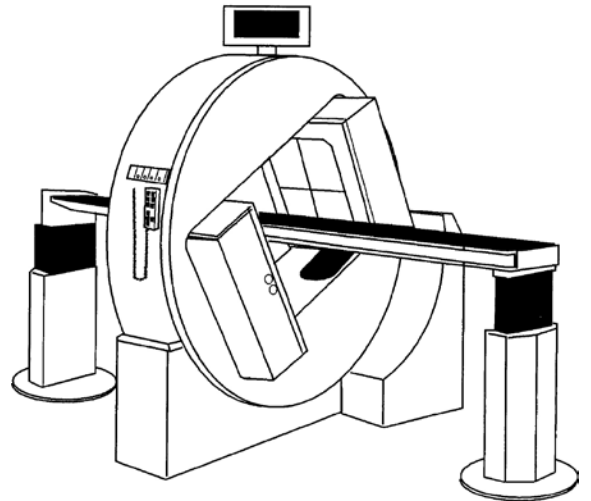
檢查過程中

第一部份：

在手臂的靜脈上安放 IV（靜脈輸液管），經由輸液管送入造影劑。可進行一次或兩次掃描。每次掃描時，平躺靜臥。

第二部份：

大約 3 小時後進行全身掃描。掃描進行中，要躺在掃描台上。全身掃描約須 1 個小時。



檢查後

- 檢查後當天飲用大量的液體，這有助於身體排出造影劑。
- 檢查結果將送交您的主治醫生。主治醫生會轉告您。

Talk to your doctor or nurse if you have any questions or concerns.

2005 – 5/2010 Health Information Translations

Unless otherwise stated, user may print or download information from www.healthinfotranslations.org for personal, non-commercial use only. The medical information found on this website should not be used in place of a consultation with your doctor or other health care provider. You should always seek the advice of your doctor or other qualified health care provider before you start or stop any treatment or with any questions you may have about a medical condition. The Ohio State University Medical Center, Mount Carmel Health System, OhioHealth and Nationwide Children's Hospital are not responsible for injuries or damages you may incur as a result of your stopping medical treatment or your failure to obtain medical treatment.

如有任何疑問或疑慮，請向醫生或護士提出。

2005 – 5/2010 Health Information Translations

Unless otherwise stated, user may print or download information from www.healthinfotranslations.org for personal, non-commercial use only. The medical information found on this website should not be used in place of a consultation with your doctor or other health care provider. You should always seek the advice of your doctor or other qualified health care provider before you start or stop any treatment or with any questions you may have about a medical condition. The Ohio State University Medical Center, Mount Carmel Health System, OhioHealth and Nationwide Children's Hospital are not responsible for injuries or damages you may incur as a result of your stopping medical treatment or your failure to obtain medical treatment.

Bone Scan. Traditional Chinese.